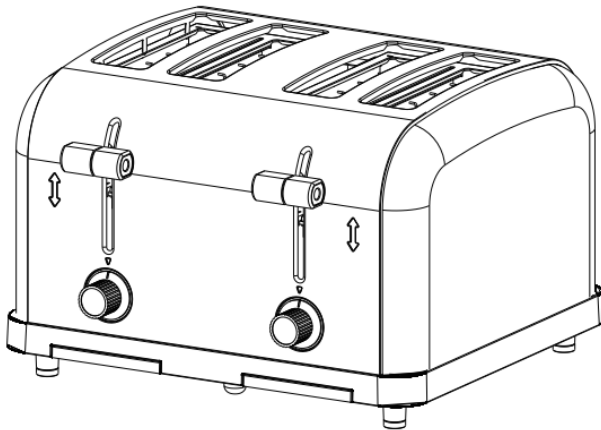




# USER MANUAL

## 4-Slice Commercial Toaster



Model No: FT-03

## Warnings & Precautions

When using the toaster, follow the safety precautions below:

- Please read all the instructions to familiarize yourself with all the parts and operations before use.
- Keep cords, plugs, and other electrical components away from liquids to protect against electrical shock.
- Unplug the toaster when not in use and before cleaning.
- Do not touch hot surfaces.
- Do not operate the toaster with a damaged electrical cord or plug.
- Do not operate the toaster after it has malfunctioned or been damaged in any way.
- Do not operate the toaster outdoors.
- Guarantee that your outlet and voltage are correct for the plug type before operating the toaster.
- For commercial use only.
- Using accessories not recommended by the manufacturer may result in injury.
- Do not store anything on top of the toaster.
- Do not use the toaster near flammable materials and products.
- Do not insert metal utensils or oversized foods inside the toaster slots, as they may cause a fire and heighten the risk of electrical shock.
- Do not clean the toaster with metal scouring pads, as it can heighten the risk of electrical shock.
- Do not place paper, cardboard, or plastic in the toaster.
- Place the unit on a flat, sturdy surface that is well ventilated.
- Do not leave the appliance unattended during use.
- Do not leave the appliance unattended without turning the timer and temperature knobs to the "OFF" position.
- Only trained adults should operate the toaster.
- The toaster is not intended for use by persons with reduced physical sensory or mental capabilities, or lack of experience and knowledge unless they have been given supervision or instruction concerning the use of the appliance by a person responsible for their safety.

## Toaster Specs

**Model:** FT-03

**Voltage:** 120V

**Hertz:** 60HZ

**Wattage:** 1800W

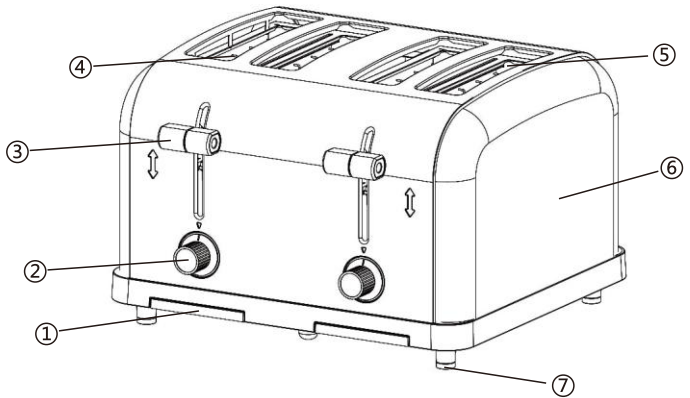
**Dimensions:** 12.5"W x 10.5"D x 7.5"H

**Unit Weight:** 6 lbs.

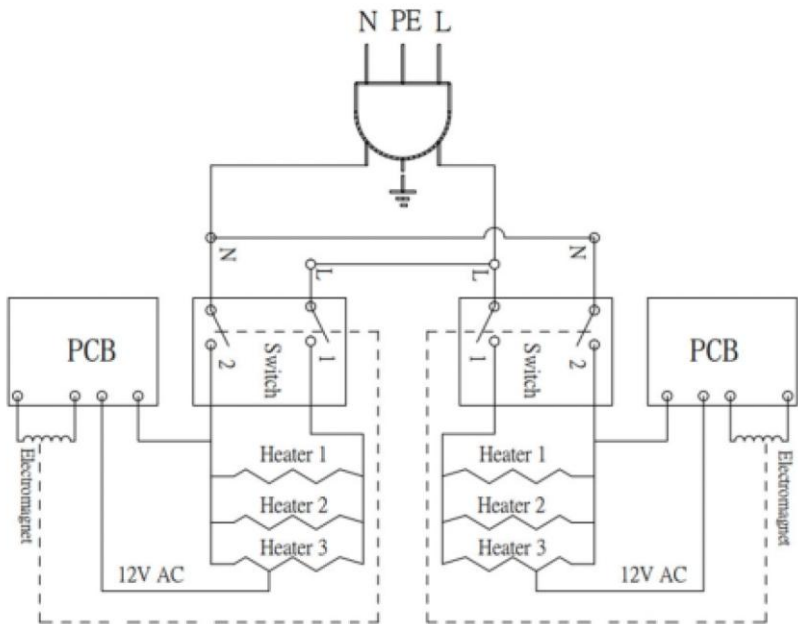
**Plug:** NEMA 5-15P

## Identification Of Key Parts

1. Crumb tray
2. Control knob
3. Lift carriage
4. Left slots
5. Right slots
6. Slide board
7. Non-slip feet



## Circuit Diagram



## **Operation Instructions**

### **Before Using Your Toaster:**

**NOTE:** Do not use any sprays or abrasive cleaners when cleaning the toaster as it can cause damage.

1. Use a damp cloth to wipe the exterior of the toaster.
2. Preheat the toaster to the highest setting for at least 5 minutes.
3. Allow the lubricant to burn off heating elements. A light amount of smoke is normal during this process.

### **Using Your Toaster:**

1. Plug in your toaster into the correct outlet. The power light will come on.
2. Load your bread into the slots.
3. Set your desired toasting level which ranges from 1 (very light) to 6 (dark).
4. To begin the toasting process, press the carriage knob down until it engages at the bottom.
5. Once the toasting process is complete, the bread will automatically pop up.
6. If you need to stop the toasting process at any time, simply raise the lift knob and carefully remove the bread.

### **Cleaning & Maintenance**

1. Unplug the unit and allow it to cool.
2. Use a damp cloth to gently wipe the exterior with non-abrasive cleaners.

**NOTE:** Do not immerse the toaster in water when cleaning the toaster, as it may cause damage and electrical shock.

## **Troubleshooting**

### **The toaster is not getting hot or toasting:**

- Check that the browning knob is set to your desired setting.
- Check to make sure the carriage knob is pressed down and engaged.

### **A metallic sound or buzzing is occurring:**

- Unplug the toaster. Do not attempt to disassemble the toaster.
- Contact customer service for the next steps.

### **Toast is often burned or overcooked:**

- Check that the browning knob is set to your desired setting.
- Contact customer service if you continue encountering issues.